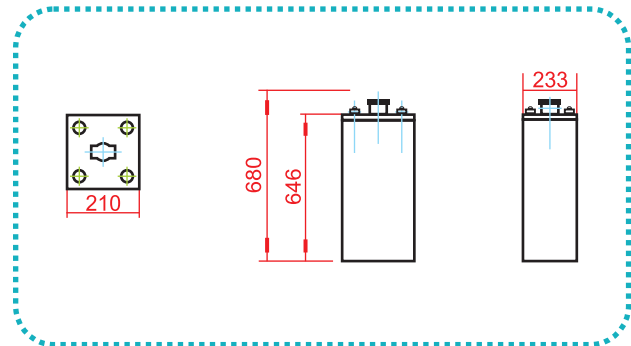


# 10 OPzS 1000 ( 2 V 1000Ah )

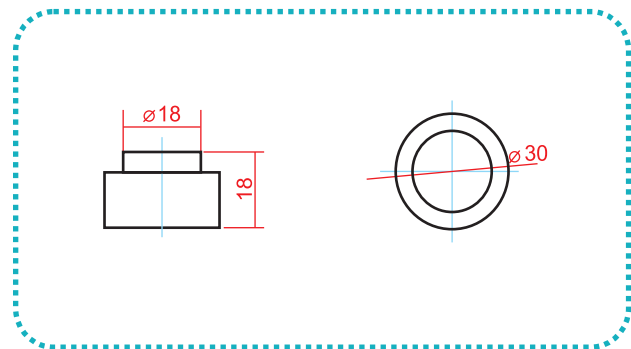


## Outer Dimensions (mm)



Specifications		
Nominal Voltage		2 V
Rated Capacity ( 10 Hour Rate )		1000 Ah
Dimensions	Total Height	680 mm
	Height	646 mm
	Length	210 mm
	Width	233 mm
Weight of Dry Battery (±2.5%)		57 Kg
Weight of Electrolyte		24.4 Kg

## Terminal Type (mm)



SINGLE CELL BATTERIES								
TYPE ACCORDING TO DIN 40736	Capacity		Discharge		Charging			Size of Plates in Ah at 10 hours rate of discharge OPzS
	in Ah	rate of discharge (hours)	(A)	until final voltage V/cell	to 2.4 V/cell (A)	over 2.4V/cell		
						falling by (A)	falling to (A)	
10 OPzS 1000	1000 865 750	10 5 3	100 173 250	1.80 1.77 1.75	150	66	33	100

Constant Current (A) Discharge Table at 25°C (77°F)									
Final Voltage	DISCHARGE TIME								
	30 min	1 h	2 h	3 h	4 h	5 h	6 h	8 h	10 h
1.90 V	321	272	202	166	146	126	110	89	72
1.87 V	396	323	237	192	164	141	123	100	82.2
1.83 V	488	380	272	261	181	156	137	111	95
1.80 V	550	420	294	232	193	166	145	117	98
1.75 V	643	475	321	249	203	176	153	124	—
1.70 V	712	516	341	261	212	183	159	—	—