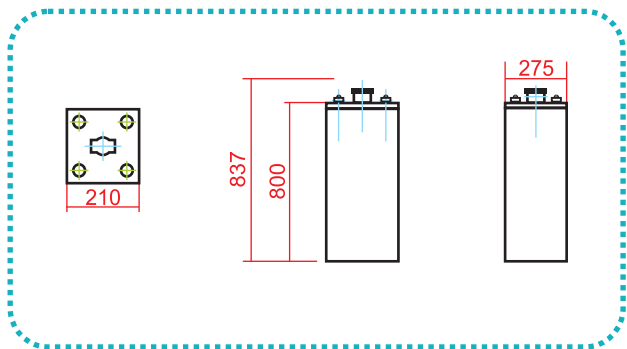


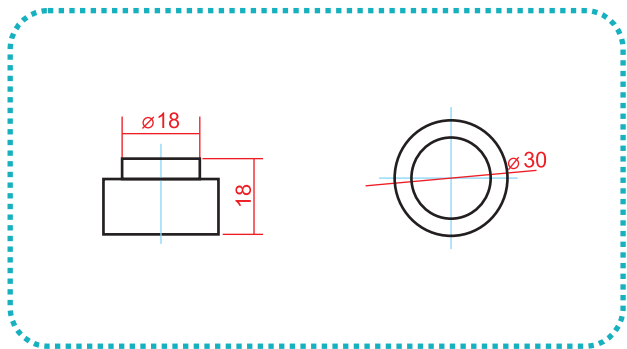


Outer Dimensions (mm)



Specifications		
Nominal Voltage		2 V
Rated Capacity (10 Hour Rate)		1500 Ah
Dimensions	Total Height	837 mm
	Height	800 mm
	Length	210 mm
	Width	275 mm
Weight of Dry Battery (±2.5%)		84 Kg
Weight of Electrolyte		34 Kg

Terminal Type (mm)



SINGLE CELL BATTERIES								
TYPE ACCORDING TO DIN 40736	Capacity		Discharge		Charging			Size of Plates in Ah at 10 hours rate of discharge OPzS
	in Ah	rate of discharge (hours)	(A)	until final voltage V/cell	to 2.4 V/cell (A)	over 2.4V/cell		
						falling by (A)	falling to (A)	
12 OPzS 1500	1500 1302 1152	10 5 3	150 260.4 384	1.80 1.77 1.74	225	100	50	125

Constant Current (A) Discharge Table at 25°C (77°F)									
Final Voltage	DISCHARGE TIME								
	30 min	1 h	2 h	3 h	4 h	5 h	6 h	8 h	10 h
1.90 V	396	396	296	252	219	194	172	138	110
1.87 V	512	464	349	296	250	218	194	153	124
1.83 V	660	541	410	326	274	240	211	169	139
1.80 V	728	591	440	345	287	249	222	178	147
1.75 V	840	667	485	374	309	264	234	189	—
1.70 V	955	757	517	398	324	274	240	—	—