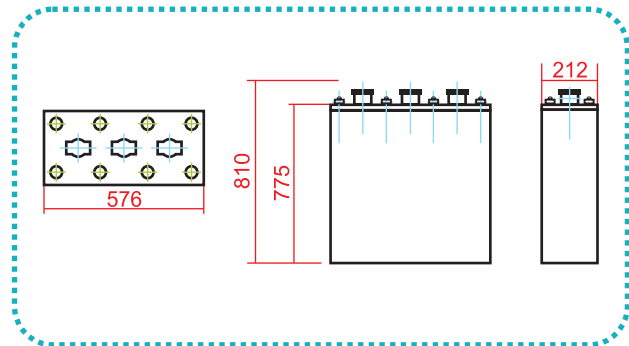


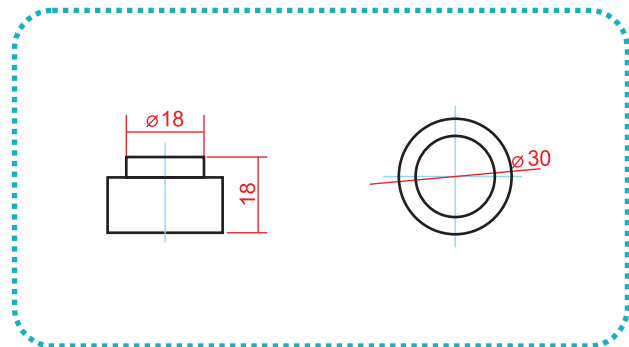


Outer Dimensions (mm)



Specifications		
Nominal Voltage		2 V
Rated Capacity (10 Hour Rate)		3000 Ah
Dimensions	Total Height	810 mm
	Height	775 mm
	Length	212 mm
	Width	576 mm
Weight of Dry Battery (±2.5%)		153 Kg
Weight of Electrolyte		72 Kg

Terminal Type (mm)



SINGLE CELL BATTERIES								
TYPE ACCORDING TO DIN 40736	Capacity		Discharge		Charging			Size of Plates in Ah at 10 hours rate of discharge OPzS
	in Ah	rate of discharge (hours)	(A)	until final voltage V/cell	to 2.4 V/cell (A)	over 2.4V/cell		
						falling by (A)	falling to (A)	
24 OPzS 3000	3000 2605 2304	10 5 3	300 521 768	1.80 1.77 1.74	450	200	100	125

Constant Current (A) Discharge Table at 25°C (77°F)									
Final Voltage	DISCHARGE TIME								
	30 min	1 h	2 h	3 h	4 h	5 h	6 h	8 h	10 h
1.90 V	792	792	592	523	438	388	345	276	220
1.87 V	1023	927	698	592	500	436	388	307	249
1.83 V	1320	1082	820	652	548	480	422	338	278
1.80 V	1456	1182	880	690	574	498	444	357	295
1.75 V	1680	1334	970	745	618	528	468	379	—
1.70 V	1910	1514	1034	796	648	548	480	—	—