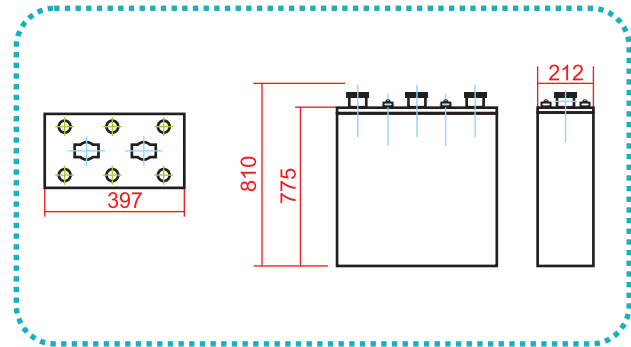
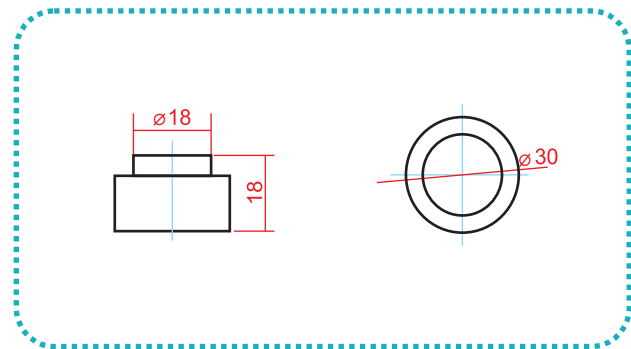


Outer Dimensions (mm)



Specifications		
Nominal Voltage		2 V
Rated Capacity (10 Hour Rate)		2000 Ah
Dimensions	Total Height	810 mm
	Height	775 mm
	Length	212 mm
	Width	397 mm
Weight of Dry Battery ($\pm 2.5\%$)		105 Kg
Weight of Electrolyte		48 Kg

Terminal Type (mm)



SINGLE CELL BATTERIES								
TYPE ACCORDING TO DIN 40736	Capacity		Discharge		Charging			Size of Plates in Ah at 10 hours rate of discharge OPzS
	in Ah	rate of discharge (hours)	(A)	until final voltage V/cell	to 2.4 V/cell (A)	over 2.4V/cell		
						falling by (A)	falling to (A)	
16 OPzS 2000	2000 1736 1536	10 5 3	200 347 512	1.80 1.77 1.74	300	132.8	67.2	125

Constant Current (A) Discharge Table at 25°C (77°F)									
Final Voltage	DISCHARGE TIME								
	30 min	1 h	2 h	3 h	4 h	5 h	6 h	8 h	10 h
1.90 V	528	528	394	336	292	258	229	184	146
1.87 V	682	618	465	395	333	290	258	204	165
1.83 V	880	721	546	434	365	320	281	225	185
1.80 V	970	788	586	460	382	332	296	237	196
1.75 V	1120	889	646	498	412	352	312	252	—
1.70 V	1273	1009	689	530	432	365	320	—	—