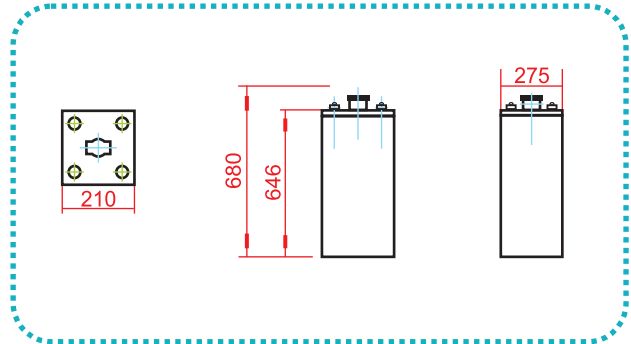
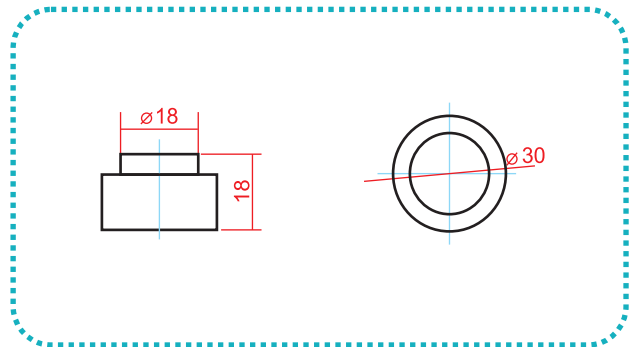


### Outer Dimensions (mm)



Specifications		
Nominal Voltage		2 V
Rated Capacity ( 10 Hour Rate )		1200 Ah
Dimensions	Total Height	680 mm
	Height	646 mm
	Length	210 mm
	Width	275 mm
Weight of Dry Battery (±2.5%)		68.6 Kg
Weight of Electrolyte		29.3 Kg

### Terminal Type (mm)



SINGLE CELL BATTERIES								
TYPE ACCORDING TO DIN 40736	Capacity		Discharge		Charging			Size of Plates in Ah at 10 hours rate of discharge OPzS
	in Ah	rate of discharge (hours)	(A)	until final voltage V/cell	to 2.4 V/cell (A)	over 2.4V/cell		
						falling by (A)	falling to (A)	
12 OPzS 1200	1200 1040 900	10 5 3	120 208 300	1.80 1.77 1.75	180	80	40	100

Constant Current (A) Discharge Table at 25°C (77°F)									
Final Voltage	DISCHARGE TIME								
	30 min	1 h	2 h	3 h	4 h	5 h	6 h	8 h	10 h
1.90 V	385	326	243	199	175	151	132	107	86.4
1.87 V	475	387	284	230	196	169	147	120	98.4
1.83 V	585	456	327	260	218	188	164	133	114
1.80 V	660	504	352	278	231	199	174	140	117
1.75 V	711	570	385	298	243	211	183	148	—
1.70 V	854	619	409	313	254	219	190	—	—